





































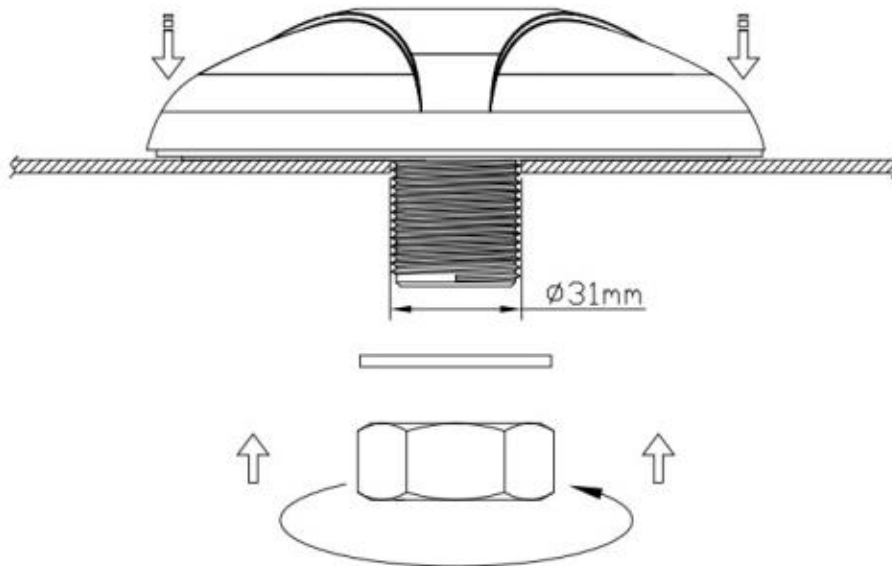






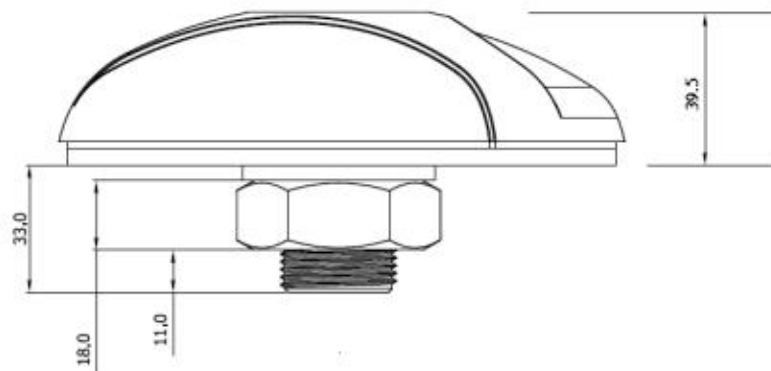


## 9. Installation

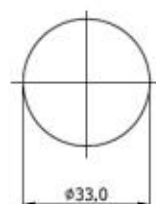


Recommended Torque for Mounting 49 N·m

Maximum Torque for Mounting 58.8 N·m

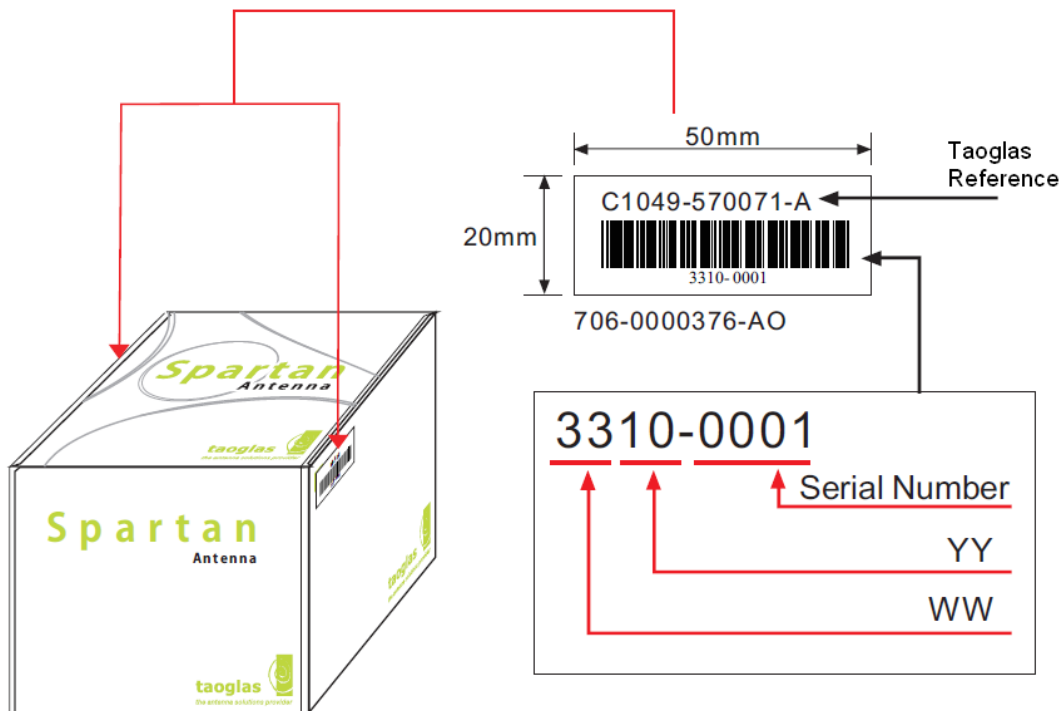
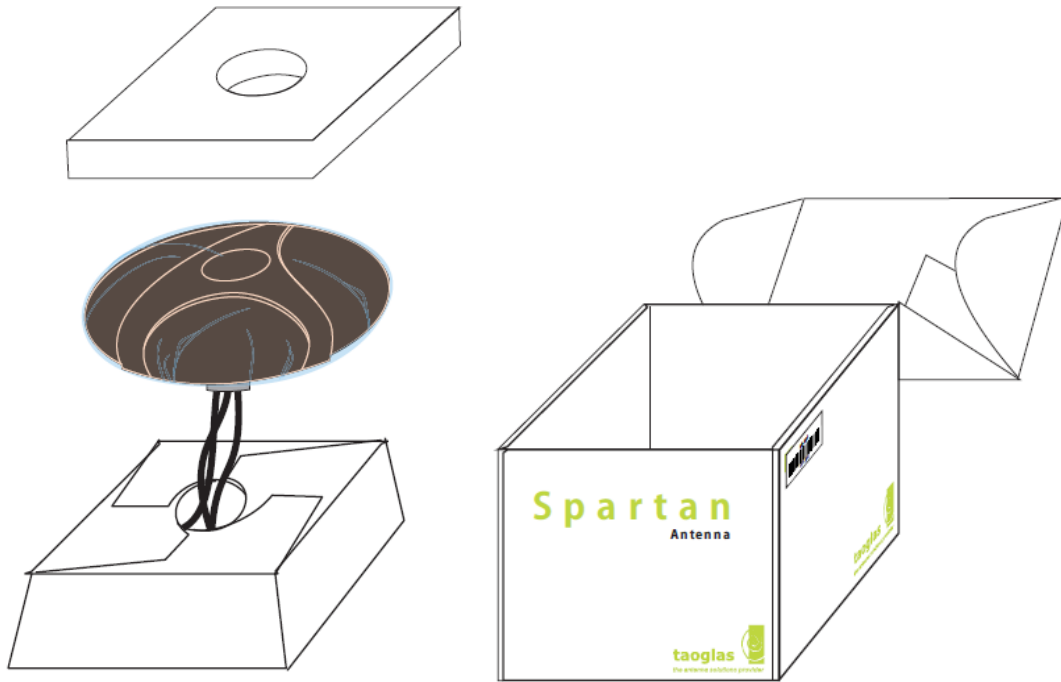


**Thread  
Diameter**

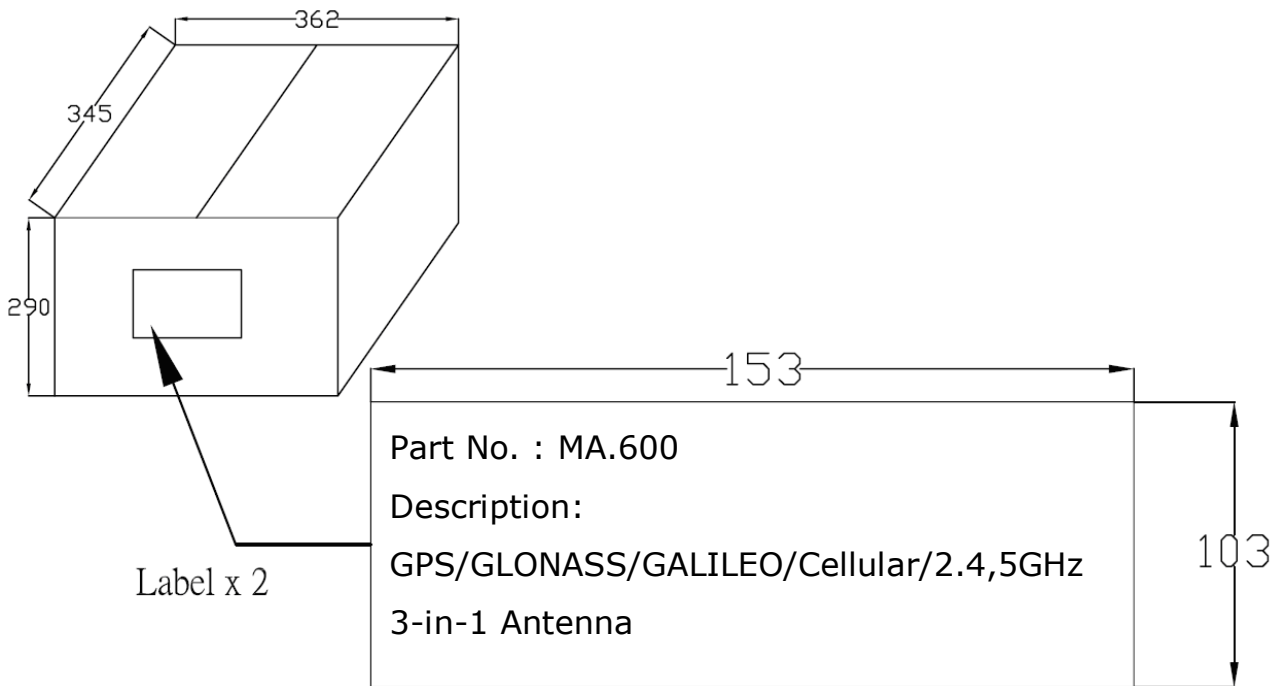


**Recommended  
Mounting Hole**

## 10. Packaging



8 boxes per carton



Taoglas makes no warranties based on the accuracy or completeness of the contents of this document and reserves the right to make changes to specifications and product descriptions at any time without notice. Taoglas reserves all rights to this document and the information contained herein.

Reproduction, use or disclosure to third parties without express permission is strictly prohibited.

Copyright © Taoglas Ltd.