

SPECIFICATION

Part No. : **RECE.20279.001E.01**

Product Name : IPEX MHF Receptacle
Compatible with IPEX MHFII, Hirose U.FL
Mating Height: 2.5mm MAX
2,500 pieces per reel

Photo :





1. Introduction

The Taoglas RECE.20279.001E.01 is a 3 pad type wire-to-board MHF SMT Receptacle solution that is ultra small, lightweight and low profile (2.5mm MAX.) with an operational frequency range of DC to 6 GHz. Taoglas RECE.20279.001E.01 is gold plated to have superior performance and allow easy mounting of the male RF connector. Packaged on tape and reel, this receptacle is designed to be placed with automatic “pick and place” equipment.

The RECE.20279.001E.01 acts as a 50 Ohm transmission line to connect the micro-miniature RF connector to the printed circuit board. It is fully compatible with MHFII and Hirose U.FL connector.

Applicable Technology

RECE.20279.001E.01 receptacles commonly integrated into GSM module, GPS module, Wireless LAN modules.

2. Specification

Electrical	
Operation Frequency	DC to 6 GHz
VSWR	1.3 Max at DC~3 GHz
	1.45 Max at 3~6 GHz
Nominal Impedance	50 Ohm
Rated Voltage	AC 60V
Contact Resistance	20m Ohm MAX. (signal) and 20m Ohm MAX. (Ground)
Withstand Voltage	AC 200V/minute
Insulation Resistance	500 M Ohm MIN. /DC 100V
Temperature	-40 to +90°C

Material	
Outer Contact	Copper Alloy (Au plating)
Centre Contact	Copper Alloy (Au plating)
Insulator	LCP UL94V-0

Environmental	
Temperature	-40 to +90°C
RoHs Compliant	Yes
Halogen-Free Yes	Yes
Vibration (Mating connector)	Frequency: 10Hz-100Hz Duration: 15mins Peak value of acceleration: 59m/s ² (6G) Direction, cycle: 3 axis, 5 cycles
Shock (Mating connector)	Peak Value of acceleration: 735m/s ² (75G) Duration: 11ms Waveform: Half sinusoidal Direction: 6 axis Cycles: 3 cycles for each direction
Humidity	Temperature: 40+/- 2°C Humidity: 90~95%RH Duration 96 hours
Thermal Shock	-40°C for 30mins to 5~35°C for 5 minutes to 90°C for 30mins to 5~35°C for 5 minutes Transition Time: 5 minutes Cycles: 5
High temperature life	90+/- 2°C for 96 hours
H ₂ S gas	Temperature: 40+/-2°C Relative Humidity: 80+/-5%RH

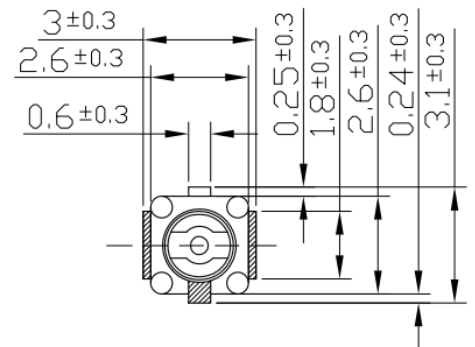
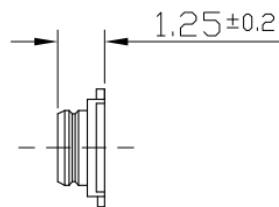
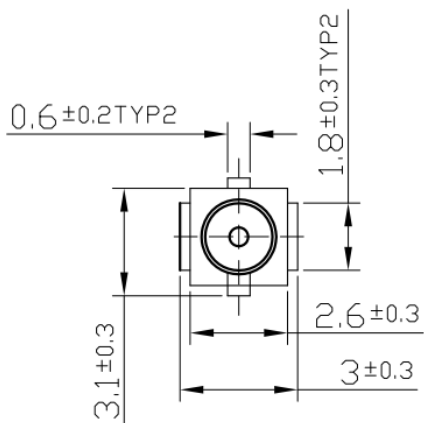
	Gas H ₂ S 3+/-1ppm Duration 96 hours
Salt Water Spray	Temperature: 35+/-2°C Salt Water Density: 5+/-1% (by weight) Duration: 48 Hours

3. Technical Drawing

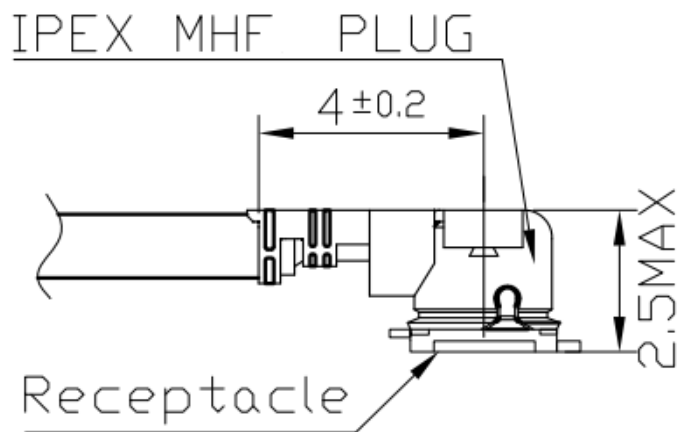
Top

Side

Bottom

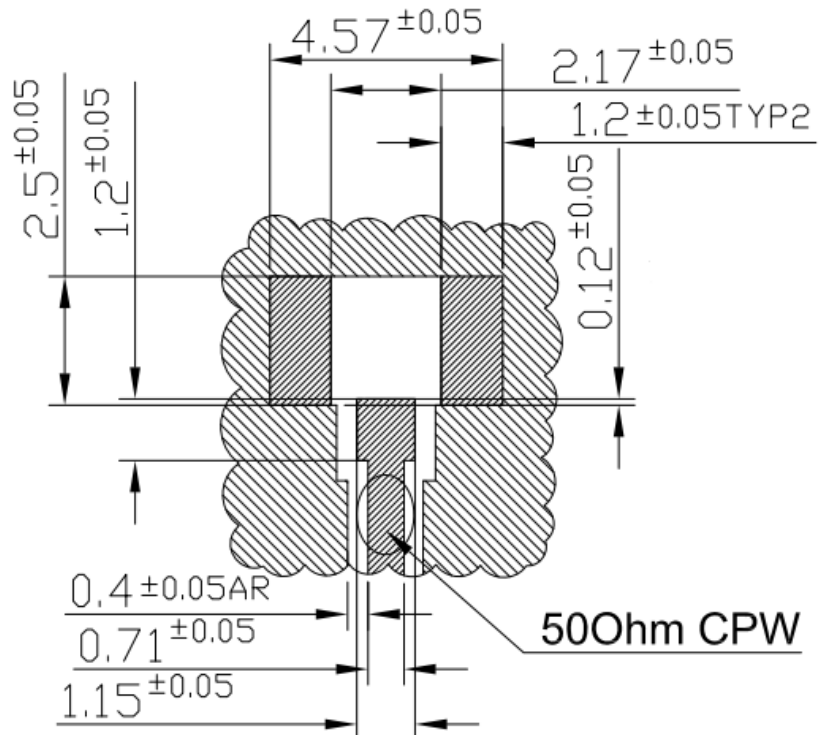


Mated View






4. Footprint

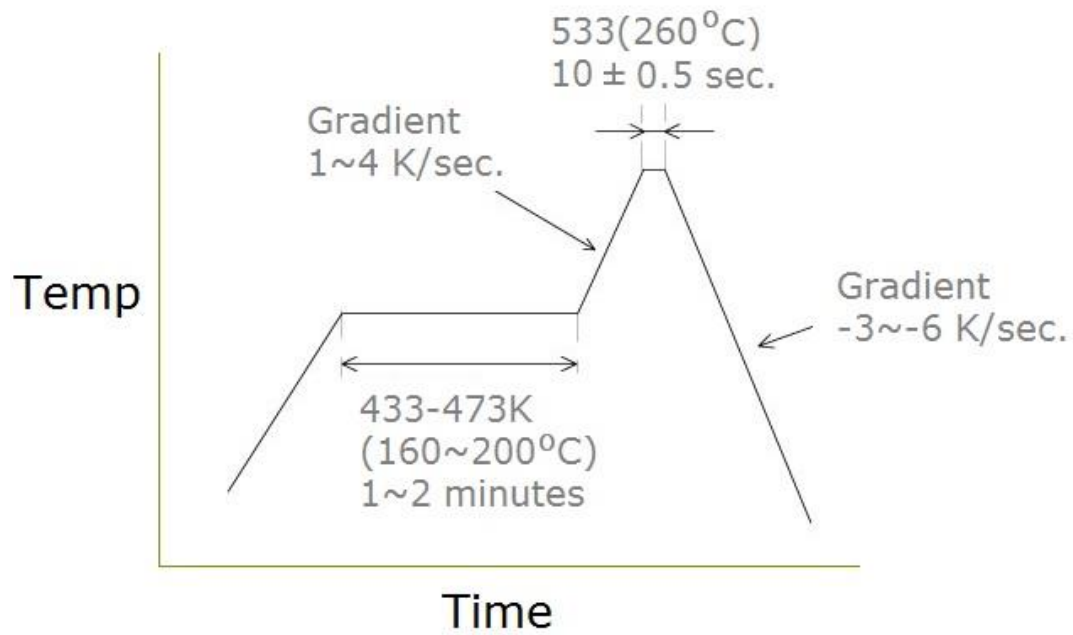
PCB Footprint



Note:

- 1. Soldered Area 
- 2. Solder Mask 
- 3. Clearance Area 
- 3. PCB Thickness 0.4mm

5. Reflow Profile



Recommended soldering temperature profile