

## PCN – Process Change Notification

Change:	SDWA.01
Date:	2017/03/07
Author	Haley Tsai

### Affected Products

Model#	Part Number	Changes
Dual-Band 2.45 GHz SMD Ceramic Antenna	SDWA.01	Amend package rule

### Type of Change

- Hardware Modification
- Production Process Advance
- Others – Amend package rule.

### Description of Change

1. Amend Package Rule.

### Schedule

2017, March, Taoglas will provide new package rule into production.

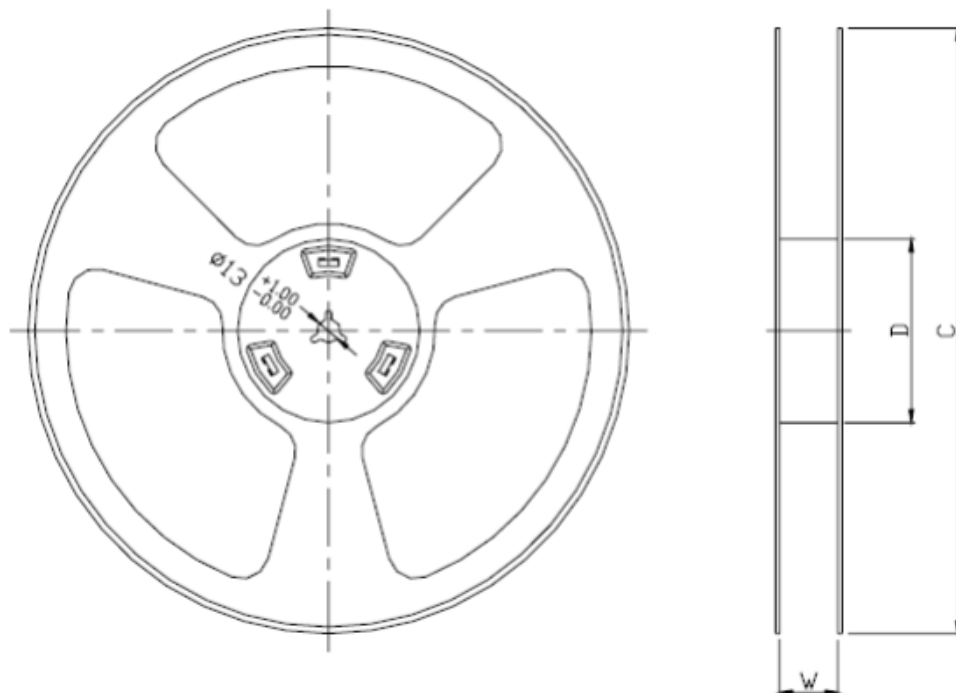
### Forecast Estimated Transition Date

**March /2017**

## Illustration of Change

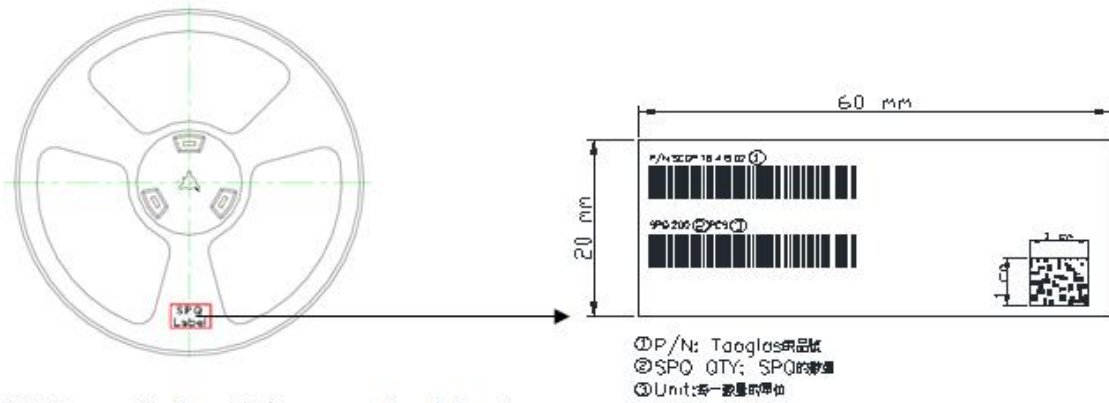
### Old Packaging

1. Blister tape to IEC 286-3 · polyester ·
2. Pieces/tape: 2000



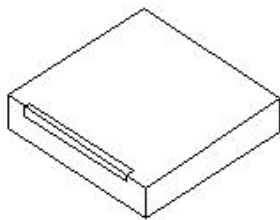
Product Code	Units per Reel	C(mm)	D(mm)	W(mm)
Antenna	2000	330±1	100±0.5	24±1

### New Packaging



2000PCS/Tape & Reel (Vacuum Packing) ↓

↓



2000PCS/Small Box ↓  
 (350x340x47mm) ↓



10000PCS/Carton ↓  
 (370x360x275mm) ↓

