

## PCN – Process Change Notification

Change:	WA.500w Series
Date:	2017/10/12
Author	Bonnie Chen

### Affected Products

Model#	Part Number	Changes
WA.500w.301151 WA.500w.031151 WA.500w.301111	-	1. Amend Details of Drawing 2. Amend Package of WA.500w.301151.

### Type of Change

- Hardware Modification  
 Production Process Advance  
 Others –Amend Details of Drawing
- 

### Description of Change

1. Amend Dimensions, Tolerances, BOM and P/N.
2. Amend WiFi Label from “2.4/5 GHz” to “2.4/5.8 GHz”

### Schedule

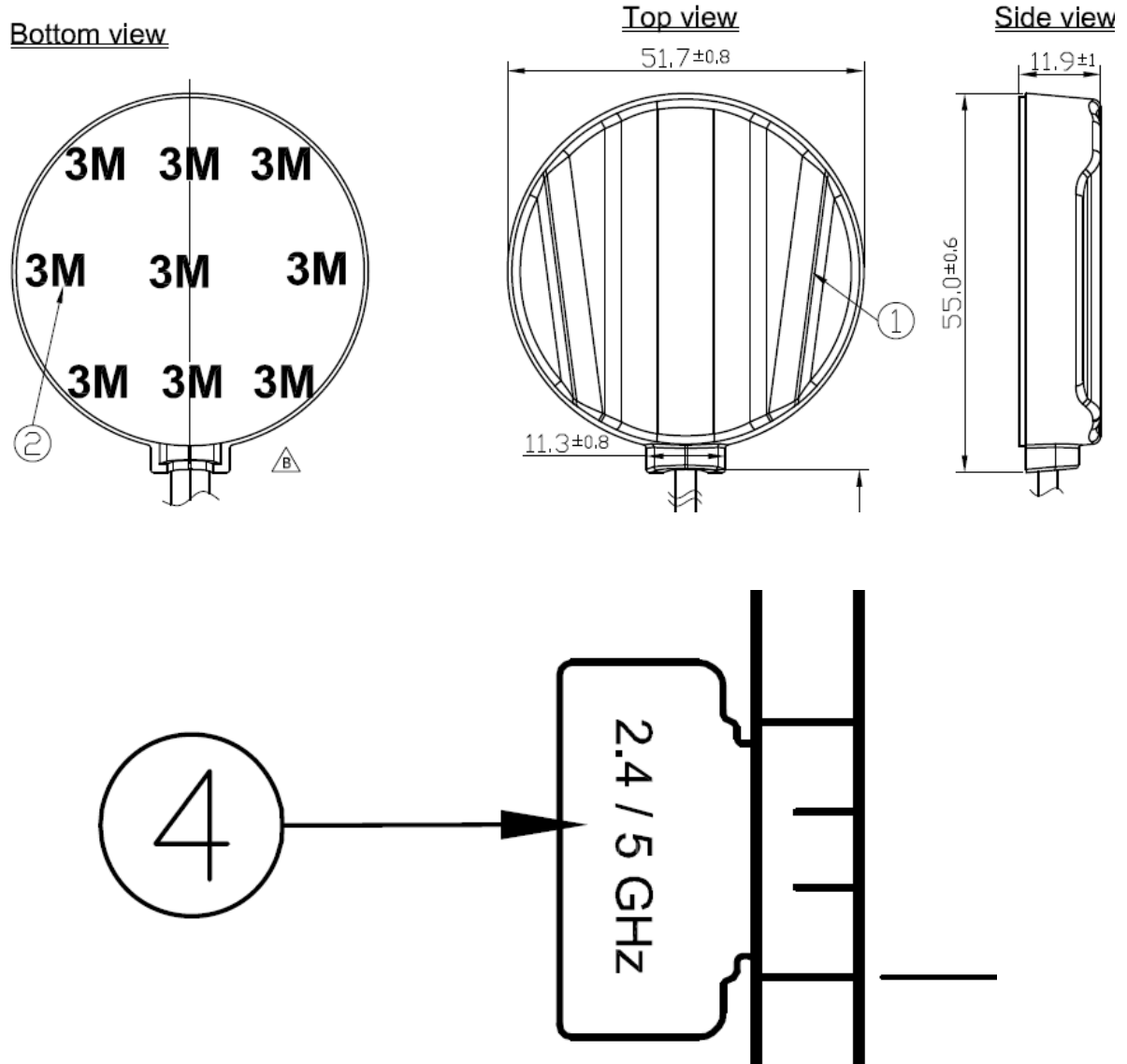
2017, October, Taoglas will provide new drawing and package rule into production.

### Forecast Estimated Transition Date

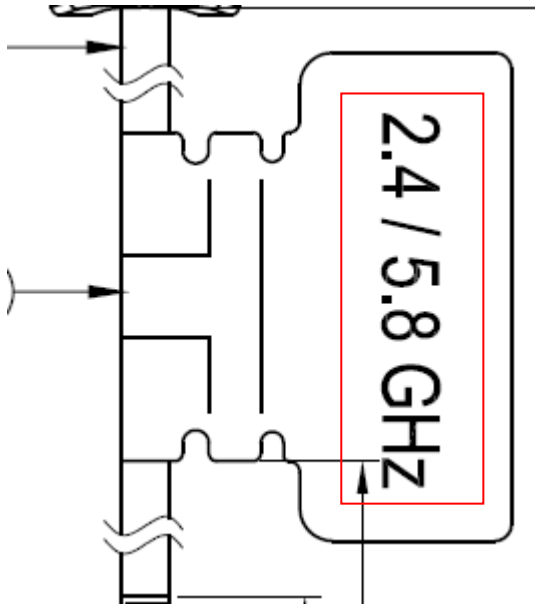
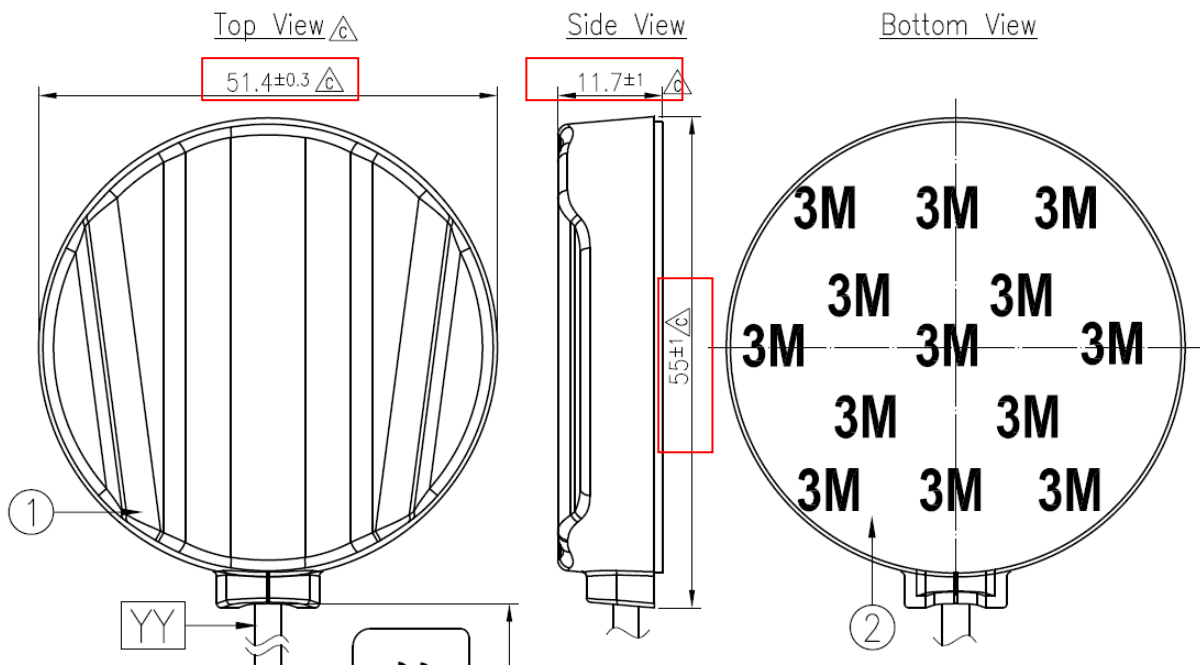
**Oct/2017**

**Illustration of Change**

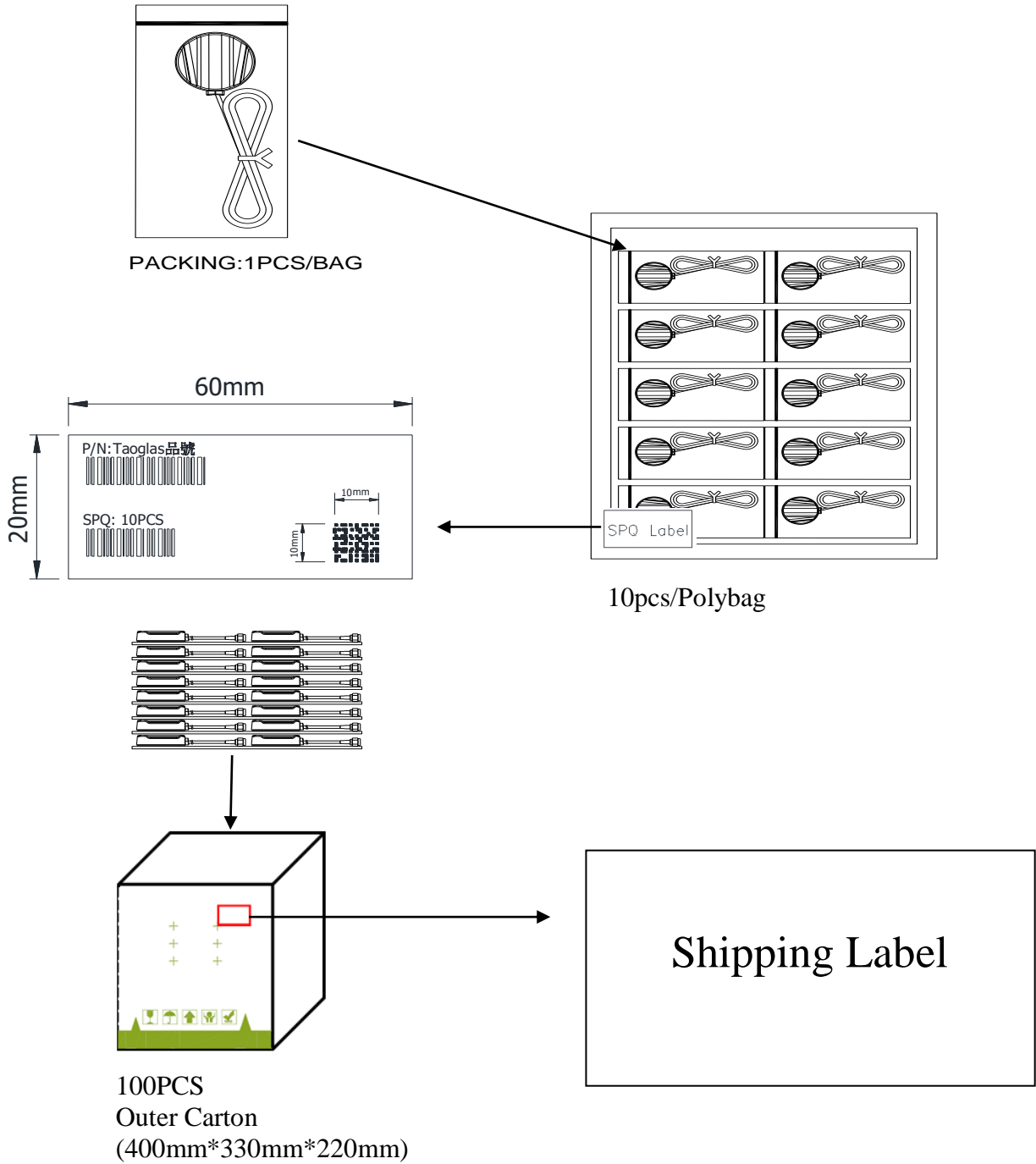
**Old Drawing**



New Drawing



**Old Package**



## New Package

